

Egg Crate (EC) Damper Grille

Refer to product table below for applicable product codes covered by this document

Issue **A**

Product Type & Application

Bradford Ventilation Egg Crate (EC) Damper Grille is an internal ventilation duct fascia designed to allow air to be drawn from the enclosed area of a building to its roof cavity. This version of the product is fitted with an operable damper which can allow or restrict the flow of air.

Compliance with the NCC

There are no relevant clauses within the NCC for this product to comply with.

Evidence of Suitability

There are no relevant clauses within the NCC to show compliance with.

Conditions of Storage, Use & Maintenance

- Store in the original packaging in a cool and dry area.
- The grille must be cleaned regularly to maintain product flowrate.
- Do not attempt to repair – contact Bradford Ventilation for service advice.

Refer to the product warranty at bradfordventilation.com.au for more information.

Limitations of Use

- Do not use for exhausting hazardous, abrasive, acidic and alkaline vapour or areas containing explosive or corrosive materials.
- Product flow rate will be reduced if grille opening is not adequately maintained.
- The product is designed to be used in conjunction with roof ventilation system.
- The damper on this product does not provide an airtight seal - this product is not suitable for containment or compartmentalisation of ducted zones.
- Suitable for interior use only.
- **IMPORTANT - Do Not Modify This Product:** Performance and safety are only achieved by the product or configuration listed in this PTS.

Specific Design or Installation Instructions

- Installation must be in accordance with the product Installation Instruction.
- The grille openings should be periodically inspected to remove foreign objects and/or dust build-up to maintain airflow.
- Ensure that the grille and damper installation/operation is not obstructed or compromised by the building structure or other components.
- It is recommended that the EC Damper Grille be installed in conjunction with the Bradford Ventilation range of Hurricane and EcoPower Ventilators.
- The flowrate of the operable damper can be adjusted by rotating the square knob anti-clockwise to open and clockwise to close.

For general installation guidance refer to the product installation guide at www.bradfordventilation.com.au

Egg Crate (EC) Damper Grille

Applicable Product Codes (SKU)

Item	Material Code
EC Damper Grille 400	61444
EC Damper Grille 595	61445

Product Specifications

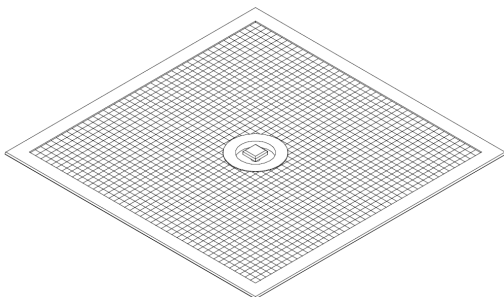
Specifications	
Grille	Aluminium – Powder Coated White
Damper	ABS, ASA & PVC Plastic

Product Dimensions (in mm)

Model	Overall Size	Opening Size	Grille Area	Overall Height (with damper open)	Weight
400	443 x 443	395 x 395	385 x 385	175	1.6
595	595 x 595	550 x 500	540 x 540	250	2.4

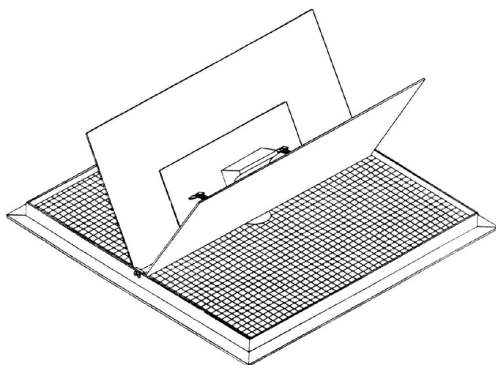
Product Drawing

Bottom View



Top View

Damper Open



Damper Closed

