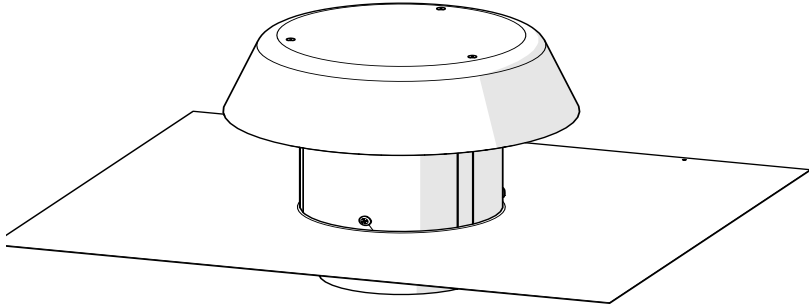


Roof Valve BAL

Product Installation Guide

Tile Roof & Metal Roof



Item Checklist & Additional Tools Required For Installation

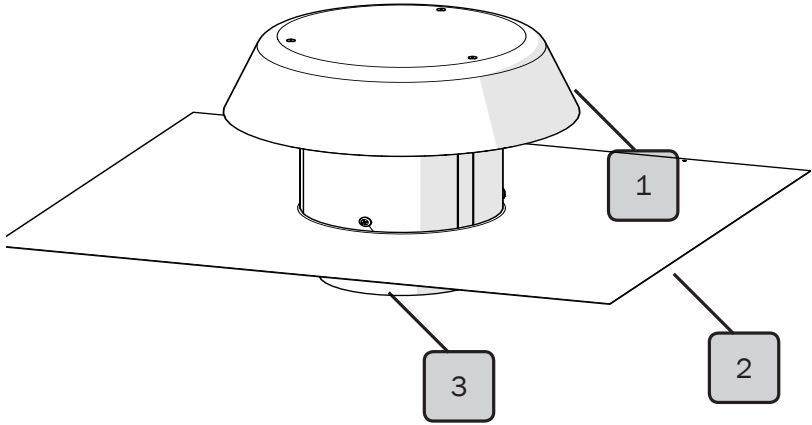
Included Parts:		Qty:
1	Roof Valve BAL	1
2	Flashing with Integrated Mesh	1
3	Collar	1

Additional Parts & Tools Required (Not Supplied) - Tile Roof

Soft rubber hammer
Caulking gun
Fire/BAL rated sealant
Angle grinder with cutting disc
Screw/Nail for fastening fixing strap
Knife (Sarked roof only)
Foil tape (Sarked roof only)
Marker pen

Additional Parts & Tools Required (Not Supplied) - Metal Roof

Soft rubber hammer
Caulking gun
Fire/BAL rated sealant
Knife (Sarked roof only)
Foil tape (Sarked roof only)
Marker pen
Nibbler or similar cutting tool
10 x 10G Tek screws or sealed rivets



Warnings and Important Notices

WARNING: Do not proceed with the installation until you have read the entire instructions, including these warnings.

INSTALL AT YOUR OWN RISK

The installation of this product involves working at heights on a sloping surface which may be dangerous and includes the potential of death, personal injury or property damage. Please be aware of the following before installing this product.

- Follow the state or territory regulator OH&S guidelines for working at height (e.g. roof work), electrical, working in elevated temperatures (e.g. roof space in summer).
For more information on your state's OH&S guidelines for working at heights, please refer to: <https://www.safeworkaustralia.gov.au/heights>
- Installation requires climbing and working at heights. Use caution to minimise risks by:
 - Clearing the area below the workspace
 - Not walking on surfaces that are slippery, wet or dusty
 - Using appropriate equipment: harness, tie off ladders, enclosed shoes, etc
- DO NOT attempt to install if you are uncomfortable with working at heights or on sloping roof surfaces.
- There are sharp edges on the flashing, cut tiles, roof sheeting etc. Take care and wear personal protective equipment when handling and installing products.
- When installing eave vents, be careful to determine that the eave cladding material does not contain asbestos. If it does or you cannot determine the material, then the eave vent should only be installed using correct asbestos handling procedures by a person trained and/or licensed to handle asbestos.

Warnings and Important Notices

- The Roof Valve BAL is designed for general residential household ventilation only. DO NOT use to exhaust hazardous or explosive materials and vapours.
- This product is not suitable for Bushfire Attack Level Flame Zone (BAL-FZ) rated areas.
- Recommended vent positioning (to minimise the risk of water ingress during rain periods) :

Metal Roof: Ideally at the ridge cap but no lower than 1.2m from the ridge cap.

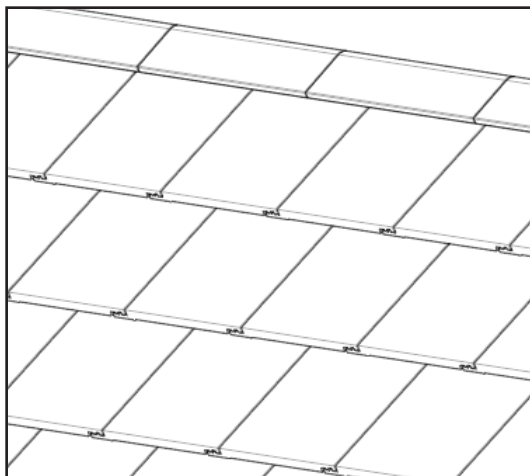
Tiled Roof: Minimum third row of tiles from the ridge cap to a maximum of the fourth row of tiles from the ridge cap.

Installation - Tiled Roof

STEP 1

Select a suitable position for the ventilator on the roof no higher than the third row of tiles down from the ridge cap.

Take care to check that there are no obstructions below the tile such as a rafter.



The removal of a tile higher than the third row down from the ridge may damage the ridge tile pointing and is NOT recommended.

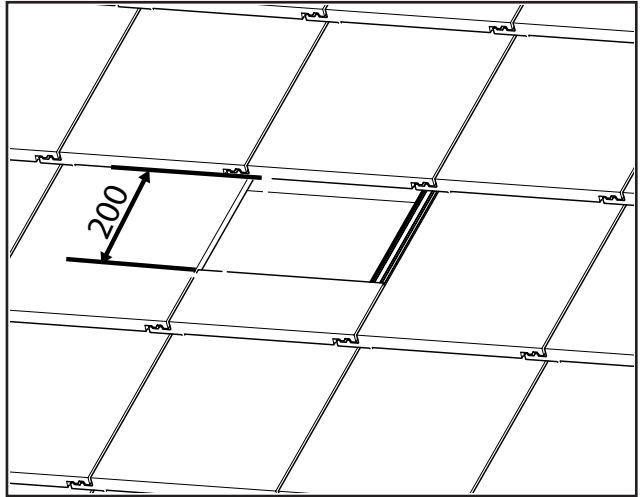
Recommended vent positioning - Minimum third row of tiles from the ridge cap to a maximum of the fourth row of tiles from the ridge cap.

Installation - Tiled Roof

STEP 2

Remove a single complete tile as required.

Cut this tile and return the lower portion to the roof. Allow an opening of approximately 200mm. This replaced tile portion will allow for a more weather proof installation.

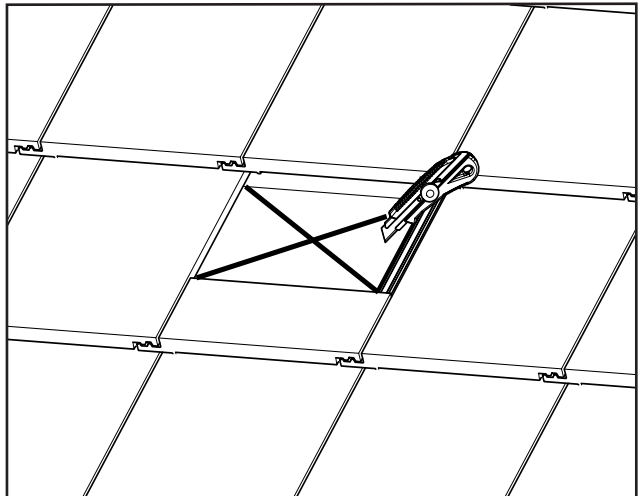


If a complete tile is removed, then care must be taken to dress the flashing to ensure a weather tight installation.

STEP 3

If the roof is sarked, cut sarking in a cross and fold back onto itself to give a 180mm opening.

Tape the corners to the surrounding sarking with foil tape to prevent them fouling the ventilator.

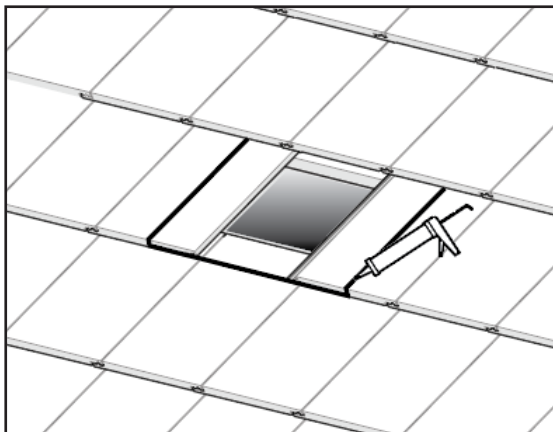


Folding the cut sarking flaps back on themselves results in a gutter arrangement that helps to prevent any water running down the sarking from entering through the opening.

Installation - Tiled Roof

STEP 5

To ensure the installation's compliance with BAL40 requirements, fire rated sealant must be applied between the tiles and all sides of the flashing.

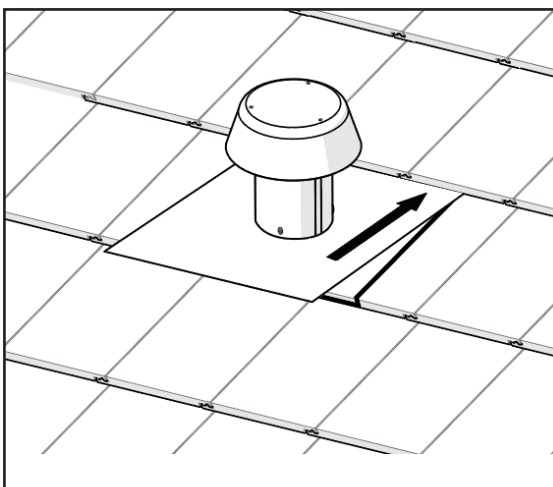


STEP 6

Return the flashing to the tiles ensuring no gaps are present. Seal any gaps along the front or side with fire rated sealant.

Fold and form the front edge of the flashing to seal against the tiles below.

Using a soft hammer, carefully dress the front and sides of the flashing into the shape of the tiles.

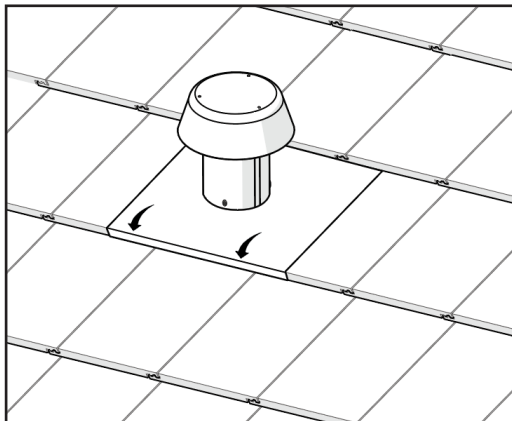


Installation - Tiled Roof

STEP 7

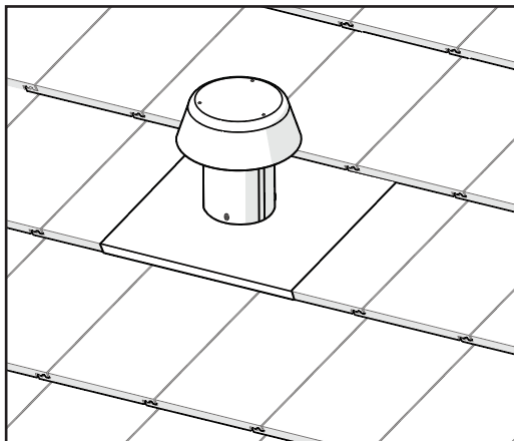
Fold and form the front edge of the flashing to seal against the tiles below.

Using a soft hammer, carefully dress the front and sides of the flashing into the shape of the tiles.



STEP 8

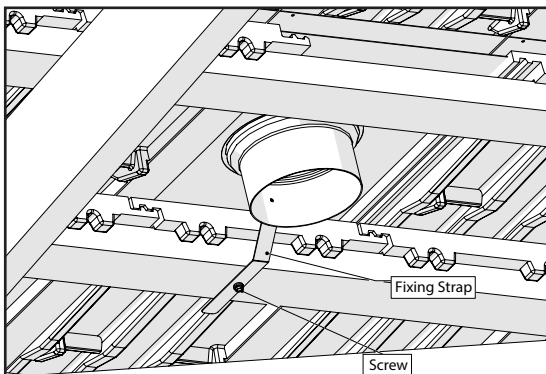
Ensure all the gaps and steps more are sealed with fire rated sealant.



Installation - Tiled Roof

STEP 9

Bend and secure the fixing strap to a batten with a 10g (or larger) self-tapping screw as shown (not supplied).



Installation - Metal Roof

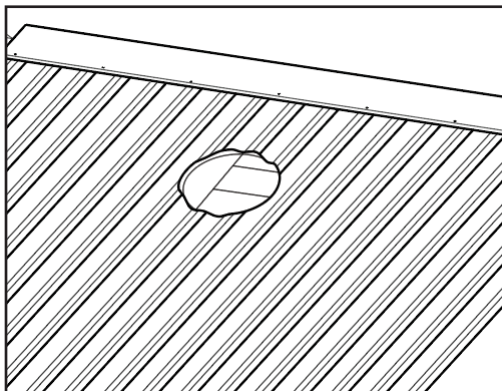
Note: Ridge capping screws may need to be removed whilst performing installation. Upon completion, return the fixing screws to the previous positions.

STEP 1

Select a suitable position for the ventilator.

To install the vent lower down the roof, appropriate backflashing must be installed, extending back to the ridge capping.

Cut a 150mm square or round opening around the centre of the position marks.



Ensure that the flashing covers the roof corrugations or ribs equally and that it is located between roof rafters.

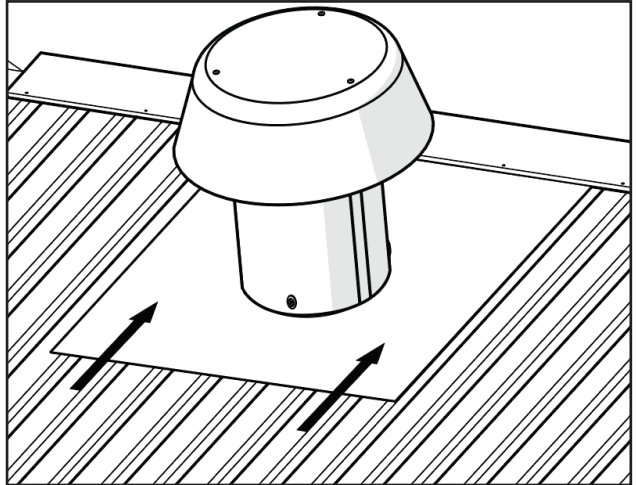
Recommended vent positioning - Ideally at the ridge cap but no lower than 1.2m from the ridge cap.

Installation - Metal Roof

STEP 2

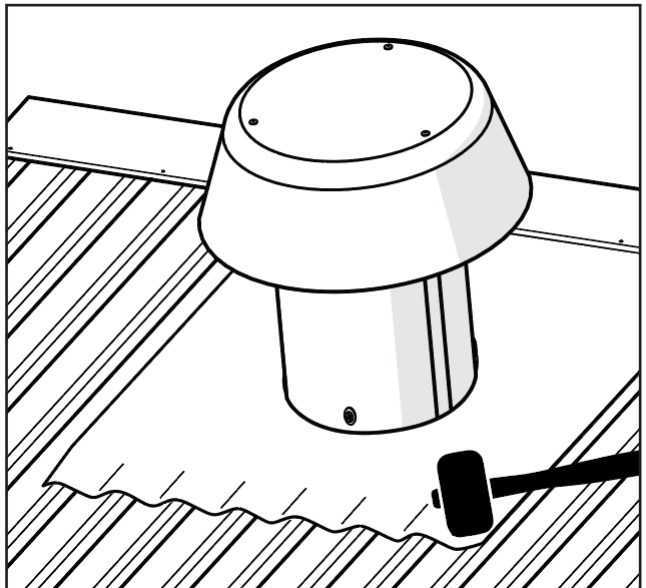
Place the Roof Valve BAL on the roof, positioning it over the cutout. Ensure that the top of the flashing is slipped under the ridge capping.

Turn up the top edge of the flashing before slipping under ridge capping. This will help prevent water ingress.



STEP 3

Using a soft rubber hammer, carefully work around the sides and lower edge of the flashing to form it into the corrugations of the metal sheeting profile.

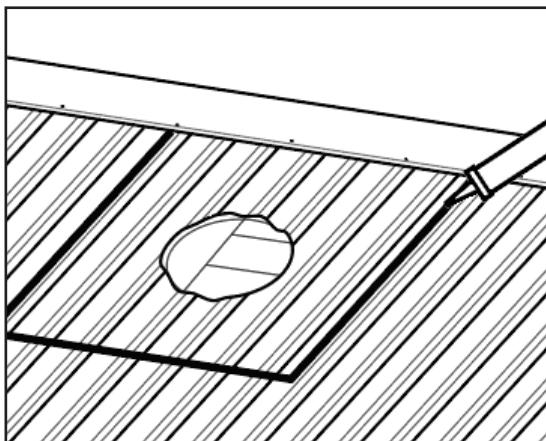


Installation - Metal Roof

STEP 4

To comply with BAL40 requirements, fire rated sealant must be applied between the sheeting and the side and front edges of the flashing.

To apply, remove the formed Roof Valve BAL and run a bead 3-4mm in from the edge of the flashing edge on the roof sheeting. Then fit the flashing.

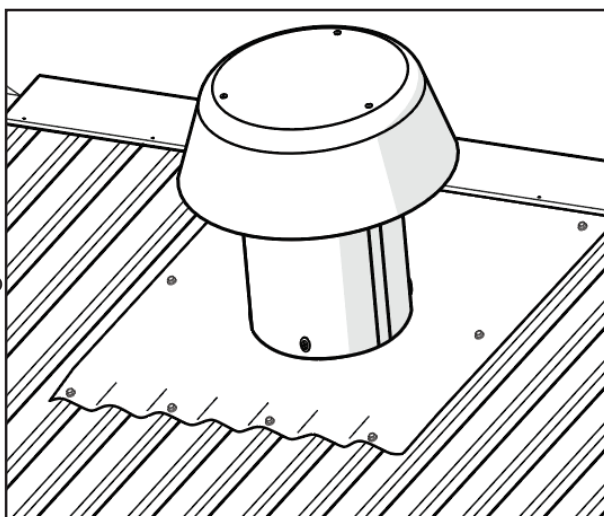


STEP 5

Secure the flashing to the metal sheeting with Tek screws or sealed rivets along the 3 exposed edges of the flashing.

Fix into the top of the metal sheeting profile to ensure a weatherproof installation.

Approximately 8 required (not supplied).

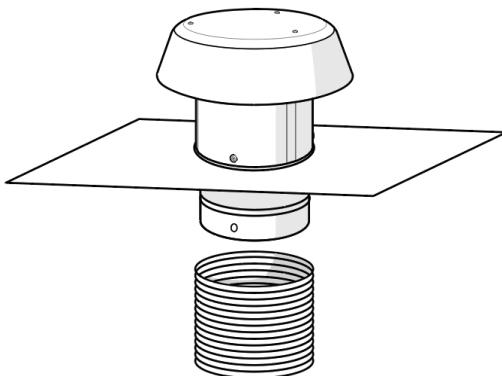


Installation - Duct

STEP 1

Use a suitable flexible duct to mount on the Roof Valve BAL's collar.

Insert the duct over the collar until it passes the beading on the collar.



STEP 2

To secure the duct, use suitable duct tape or flexible duct ties. The location of the tape or ties should be above the beading as this will provide support to prevent the duct sliding off the collar.

