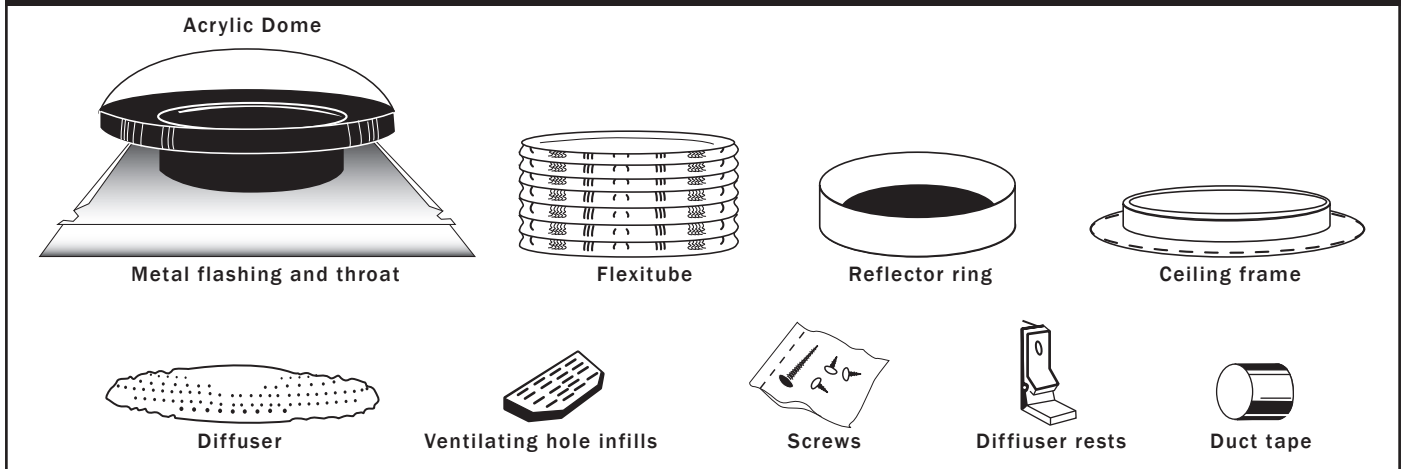


### CONTENTS OF PACKAGE



#### Step 1

Check inside the roof space to ensure that it is clear of obstructions such as wiring, water pipes and structural timbers. Select a position on the ceiling and tap a nail through centrally between ceiling joists.

#### Step 2

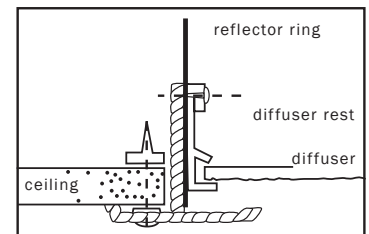
From the underside of the metal roof decide approximately where you would like your solabrite. Punch a hole through the center of the desirable position.

#### Step 3

Hold the ceiling frame up to the ceiling and mark around the outer edge of the upstand keeping the protruding nail in the center of the frame. Cut along pencil line with a suitable saw.

#### Step 4

Insert the ceiling frame and secure with long screws and plastic nuts provided in screw pack. Remove the blue adhesive film from the reflector ring and position this ring inside the ceiling frame. Using a 1/8 drill and self tapping screws provided, fit the 4 diffuser rests securing the reflector ring at the same time. See adjacent sketch. Note – the deflector rests are optional and only required if the unit is to be vented.



#### Step 5

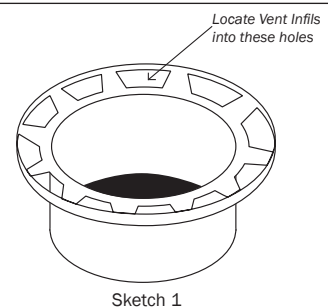
Refer to Details 1 & 2 regarding cutting the metal roof and flashing the unit to ensure it is weatherproof. Detail 1 shows the preferred method for the handyman and Detail 2 shows the method a specialist installer would use. Before installation remove the blue protective film from inside the flue. Fix the Flexiduct to the flue underneath the flashing using the stainless steel tabs bent outwards and wrapped in duct tape. Drop Flexiduct through the hole in roof and slide base flashing into position. Fix acrylic dome to throat with screws provided.

#### Step 6

From inside the ceiling drop the diffuser into place and press to engage in diffuser rest if used [see step 4]. Pull Flexiduct taught and cut to length before securing it to the reflector ring with duct tape.

*This (Solabrite Plus) is a versatile product. It can be arranged as a ventilating skylight or a non-ventilating unit. Solabrite Plus sizes 400 and 500 are supplied with press fit infill segments which are used to fill the ventilating holes either with solid infills or insect guarded ventilating infills. See sketch 1. The 350 Solabrite Plus is normally non-ventilating but can be converted by removing the solid infills using a hammer and chisel and inserting ventilation infills in their place. For nominal ventilation it is necessary to use only three or four ventilating infills.*

*It is important that you remove the blue protective film from the reflector rings before installation. The reflective duct must be pulled as tight as possible to gain maximum light transmission. Any looseness or sharp bends will considerably reduce the efficiency of your Solabrite Plus.*

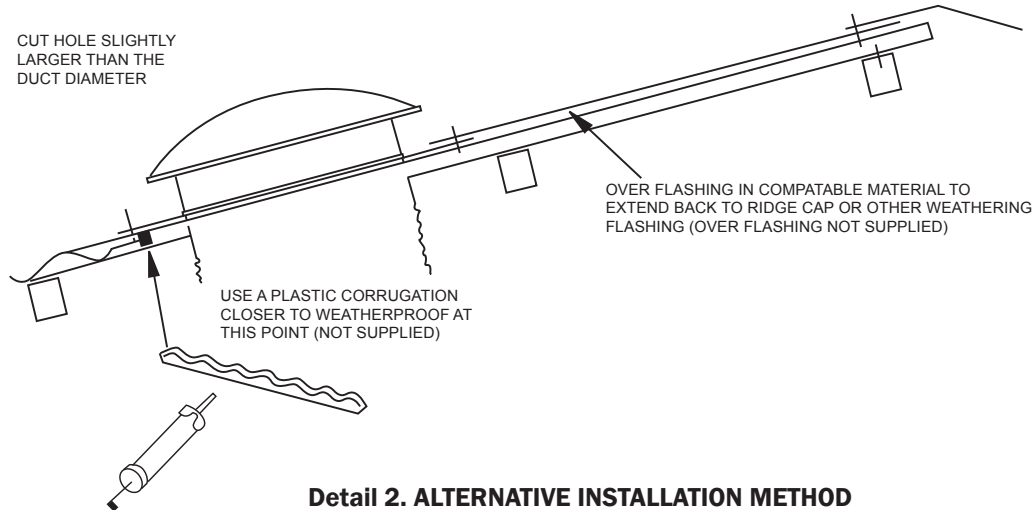


# INSTALLATION INSTRUCTION - Solabrite Plus

## Mounted On A Corrugated Roof

### Detail 1. TRADITIONAL INSTALLATION METHOD

This method is a safe and simple method which can be carried out by the tradesman or the handyman alike.



### Detail 2. ALTERNATIVE INSTALLATION METHOD

This method is not recommended for the inexperienced.

