

SOLABRITE 400

Product Description

400 mm skylight with 3mm clear acrylic prismatic diffuser, removable for cleaning. 2m x 400mm diameter reflective spiral tubing with duct tape roll included, and plasterboard screws for the ceiling frame.

Applications

Bringing natural light into small to medium dark areas of a home.

Benefits

Bringing natural light into small to medium dark areas of a home. Easy to DIY install.

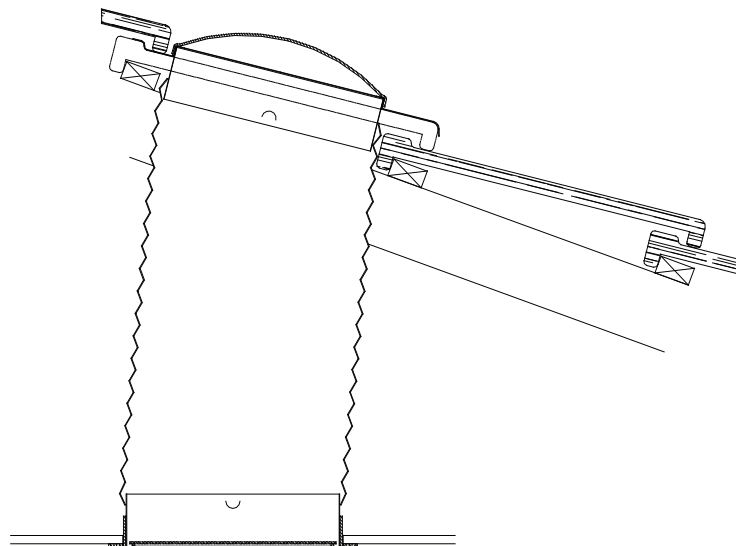
SKU Table

Colour	Product Number
1	61425

Note: Not all products available as stock items. Contact your Bradford Insulation office for stock availability, minimum order quantities and lead times.

Physical Properties

Dome	Clear high impact UV stable acrylic
Flashing	500x500x0.7mm soft 5005 aluminium
Warranty	7 yrs



Bradford™
for smarter environments

CSR Bradford Insulation
55 Stennett Rd, Ingleburn NSW 2565 Australia.

Telephone 1300 858 674

www.edmonds.com.au

CSR Bradford Insulation is a business division of CSR Building Products Limited ABN 55 008 631 356

The contents of this brochure are copyright protected and may not be reproduced in any form without prior written consent of CSR Bradford Insulation. Recommendations and advice regarding the use of the products described in this brochure are to be taken as a guide only, and are given without liability on the part of the company or its employees. We reserve the right to change product specifications without prior notification, please refer to the Bradford website for the latest version of this document. The purchaser should independently determine the suitability of the product for the intended use and application.