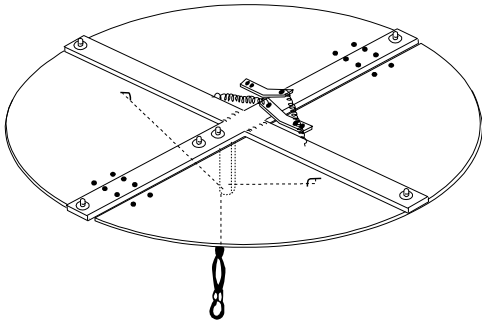


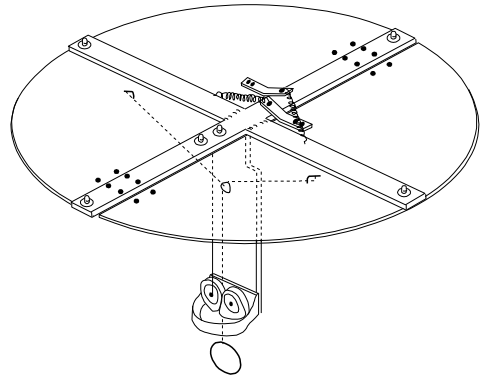
DAMPER TYPES

DATE: 12 June 1998

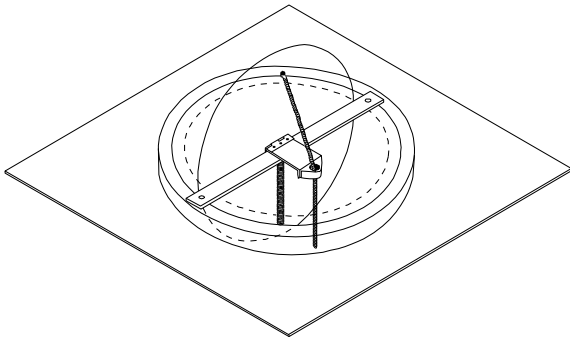
REVISED: 7 December 2007



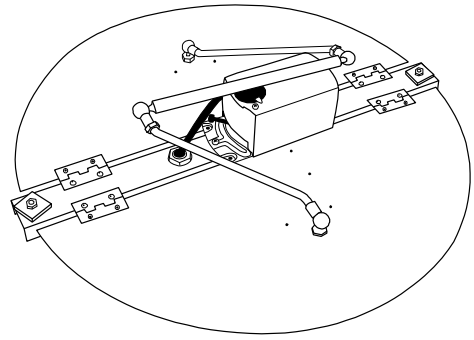
Type 1
Manual Butterfly Type Damper



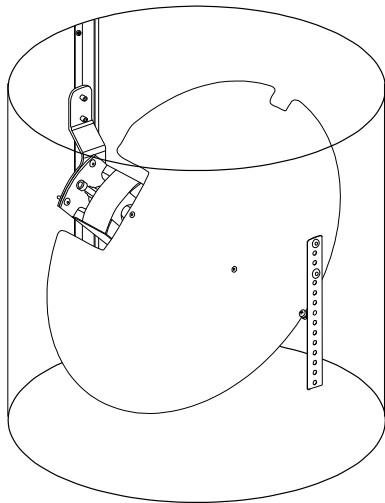
Type 2
Manual Butterfly Type Damper with Cam Cleat



Type 4
Manual Disc Type Damper



Type 5
Electric Butterfly Type Damper



Type 6
Electric Disc Type Damper

Damper size availability chart

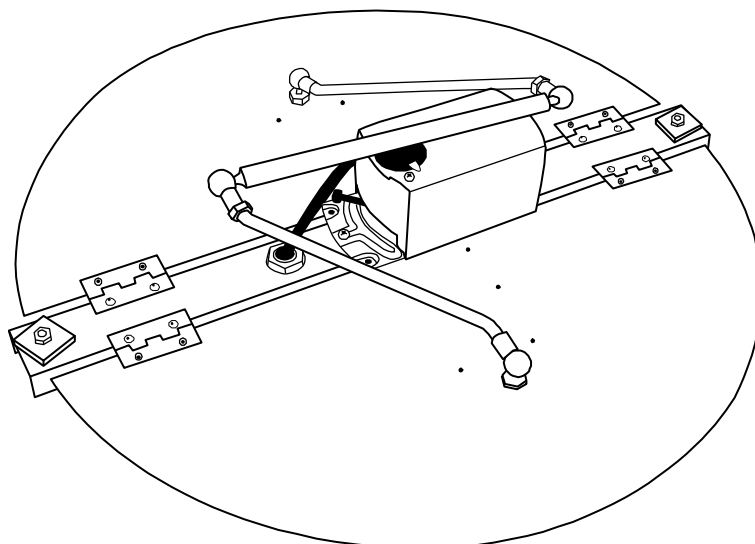
Ventilator	Type 1	Type 2	Type 4	Type 5	Type 6
SupaVent			•		
Windmaster			•		
H300	•	•		•	•
H400 & EP400	•	•		•	•
H450	•	•		•	•
H500	•	•		•	
H600 & EP600	•	•		•	
H700	•	•		•	
H800	•	•		•	
H900	•	•		•	

Note: Type 6 dampers are only available in conjunction with special base types 1, 2, 3, 4, 6 or 7.

ELECTRICALLY OPERATED DAMPERS Type 5

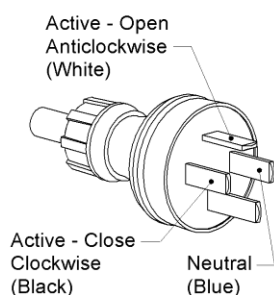
DATE: 1 May 1997

REVISED: 5 September 2011

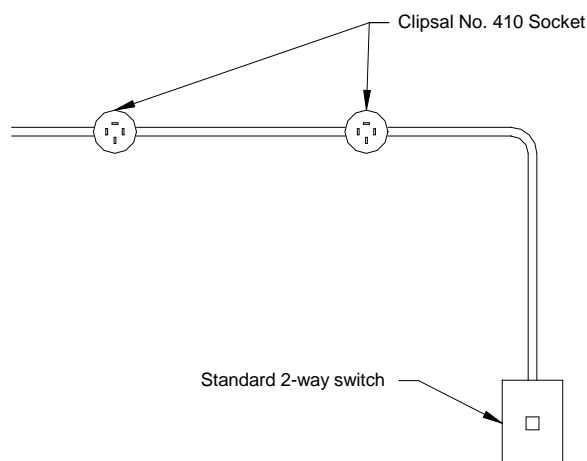


ELECTRICAL WIRING

240 VAC (Damper supplied with 4 pin plug)



Clipsal 4-pin pug to suit
Clipsal No. 410 socket



24 VAC (Damper supplied with stripped leads)

Wire colour	Function
Red	System potential 24 VAC
Purple	Actuating signal 0 VAC (Close Damper)
Orange	Actuating signal 0 VAC (Open Damper)

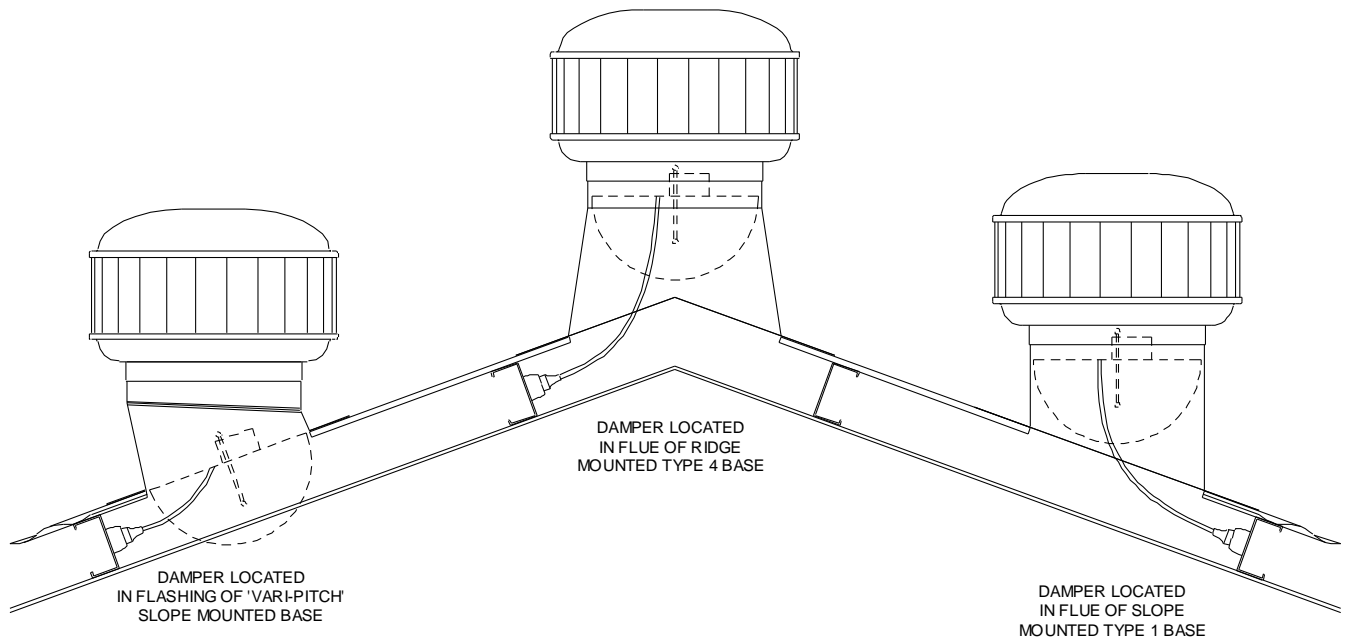
SPECIFICATIONS

Actuator:	Siemens
Operating voltage/frequency (240 VAC model):	230 VAC \pm 10 % / 50/60 Hz
Operating voltage/frequency (24 VAC model):	24 VAC \pm 20 % / 50/60 Hz
Power consumption (running):	2 VA / 1 W
Operating time (opening or closing):	150 seconds
Actuator protection:	IP54
Available sizes:	300, 400, 450, 500, 600, 700, 800 & 900mm

ELECTRICALLY OPERATED DAMPERS Type 5 (240VAC)

DATE: 1 May1997

REVISED: 5 December 2007



SPECIFICATION:

Edmonds Electrically Operated 'Butterfly' type 5 dampers are manufactured from aluminium and are capable of being installed in slope or ridge mounted bases. The size of the dampers match the throat size of the Edmonds Hurricane Ventilator in which they are mounted.

Operation is by a 240VAC, 50Hz, 2VA motor [Siemens GDB331.1GM (models H300-H600) or GLB331.1GM (models H700-H900)] mounted internally above the damper and holding the damper in either the fully open or fully closed position. The dampers come complete with 1.5 metres of cable fitted with a Clipsal 439/4 four pin plug, ready to be plugged into a Clipsal 410 socket to be supplied and installed by an electrical contractor on site. The open and close switch wire is to be continuously energised from a 240VAC mains supply.

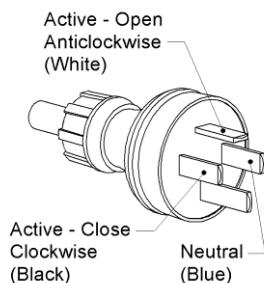
ELECTRIC DAMPER WIRING Types 5 & 6

DATE: 10 February 2000

REVISED: 5 September 2011

ELECTRICAL WIRING

240 VAC (Damper supplied with 4 pin plug)



Clipsal 4-pin pug to suit
Clipsal No. 410 socket

24 VAC (Damper supplied with stripped leads)

Wire colour	Function
Red	System potential 24 VAC
Purple	Actuating signal 0 VAC (Close Damper)
Orange	Actuating signal 0 VAC (Open Damper)

ACTUATORS

240 VAC

Type 5 Damper

Siemens GDB331.1GM 5Nm (models 300 – 600)

Siemens GLB331.1GM 10Nm (models 700 – 900)

Type 6 Damper

Siemens GDB331.1GM 5Nm (models 300 – 600)

24 VAC

Type 5 Damper

Siemens GDB131.1E 5Nm (models 300 – 600)

Siemens GLB131.1E 10Nm (models 700 – 900)

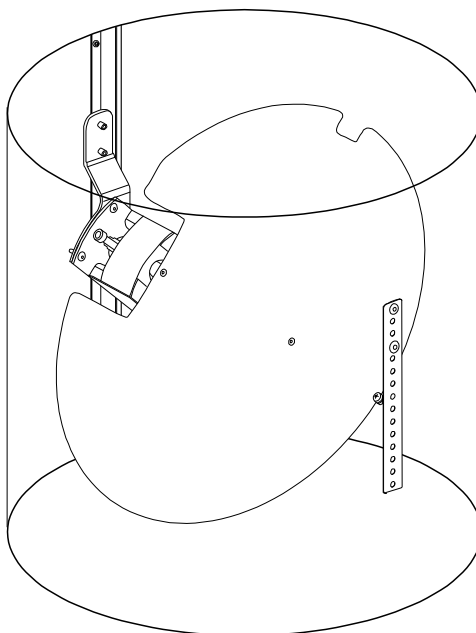
Type 6 Damper

Siemens GDB131.1GM 5Nm (models 300 – 600)

ELECTRICALLY OPERATED DAMPERS Type 6

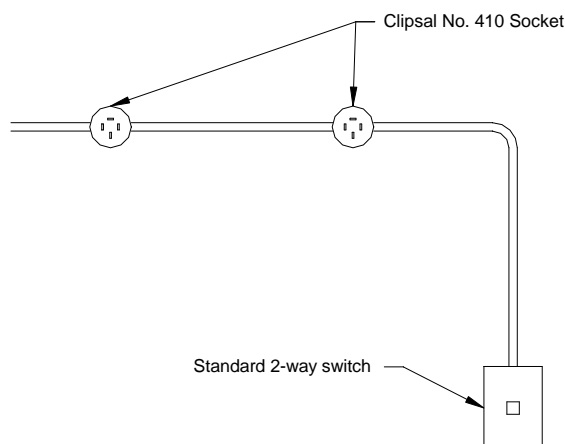
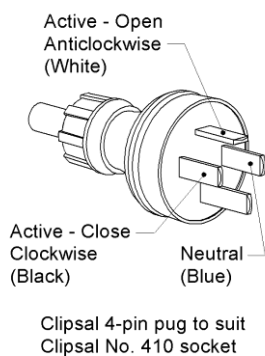
DATE: 5 December 2007

REVISED: 5 September 2011



ELECTRICAL WIRING

240 VAC (Damper supplied with 4 pin plug)



24 VAC (Damper supplied with stripped leads)

Wire colour	Function
Red	System potential 24 VAC
Purple	Actuating signal 0 VAC (Close Damper)
Orange	Actuating signal 0 VAC (Open Damper)

SPECIFICATIONS

Actuator:	Siemens
Operating voltage/frequency (240 VAC model):	230 VAC \pm 10 % / 50/60 Hz
Operating voltage/frequency (24 VAC model):	24 VAC \pm 20 % / 50/60 Hz
Power consumption (running):	2 VA / 1 W
Operating time (opening or closing):	150 seconds
Actuator protection:	IP54
Available sizes:	300, 400, 450, 500, 600mm
Note: This damper type is only available in conjunction with special base types 1, 2, 3, 4, 6 or 7.	