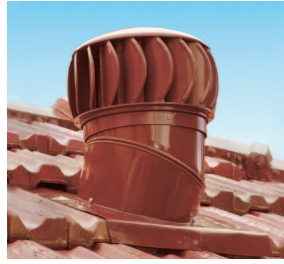


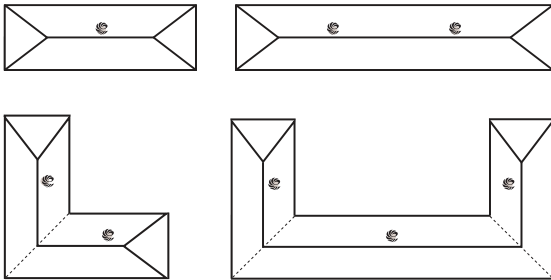
INSTALLATION INSTRUCTION

Residential Turbine Ventilator

These instructions are suitable for use with the Windmaster, SupaVent, TurboBeam and TurboVentura



CHOOSING THE CORRECT POSITION



Guide*

1 x Ventilator for up to 90m ² house (10 squares)
2 x Ventilators for up to 180m ² house (20 squares)
3 x Ventilators for up to 270m ² house (30 squares)

* Guide not suitable for TurboVentura

FIG 1

METAL ROOF INSTALLATION:

Step 1

Select the appropriate position(s) for the ventilator(s) as referred to in Fig 1. Remove the components from the carton (turbine, Varipitch (throat) and flashing). Place the flashing with top edge slipped under the ridge capping (Fig 2).

Step 2

Ensure that the flashing covers the corrugations or ribs equally and is located between the roof rafters, then mark a circle using the flashing as a template. Cut hole.

Step 3

Turn the corrugations or pans of the roof sheeting upwards around the opening. Dress flashing to form sheeting profile. If the Profile proves to be difficult an INFILL that matches the roofing profile can be purchased & used on the bottom edge of the flashing to achieve a weatherproof seal.

Step 4

Run a small bead of silicone along the under side of the flashing near the opening & secure the flashing with self-tapping screws or rivets along the 3 exposed edges of the flashing (Fig 2). Approximately 8 are required (these are not included).

Note: The fixing Strap is not required for metal roofs.

Then follow steps 6, 7 & 8 from "Tile Roof Installation" Instructions (See Overleaf)

Note: When a ventilator is required to be installed further down the roof and the top edge of the flashing is exposed, a flat flashing with turned down sides should be installed over the top edge of the ventilator flashing and extended back to the highest point under the ridge capping. Failure to install the ventilator using this back flashing may result in water penetration.

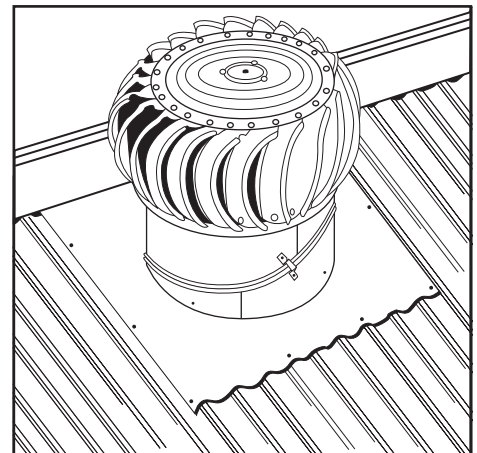


FIG 2

INSTALLATION INSTRUCTION

Residential Turbine Ventilator

TILE ROOF INSTALLATION

Step 1

Select the appropriate position(s) for ventilator(s) as referred to in Fig 1. Remove a tile from the third row down from the ridge cap. The removal of a tile higher than this may damage the integrity of the ridge tiles and is NOT recommended (Fig 3).

Step 2

If the roof is 'sarked', cut sarking in a cross and fold back the corners to give a 150mm, 250mm or 300mm square opening, depending on the size of the ventilator.

Step 3

Remove the components from the carton (turbine, Varipitch (throat) and flashing). Take the flashing and push it under the tiles above the opening created in the roof. Centre the hole in the flashing over the opening. Dress the flashing into the shape of the tiles (Fig 4). Turn the bottom edge of the flashing down to seal against lower tiles.

Step 4

Put your hand through the hole in the flashing and bend the top edge of the flashing which is under the tiles upwards to meet the underside of the tiles above.

Step 5

Through the hole in the flashing, attach the fixing strap to a timber tile batten on the lower side of the hole, using a nail or screw (not included). Bend the fixing strap out over the flashing towards the front (Fig 5).

Step 6

When fitting the Varipitch you must ensure it is the correct way up and the top is level. The top of the Windmaster, SupaVent and TurboBeam Varipitch is denoted by 3 notches in the edge of the Varipitch. For the TurboVentura the open section of the Varipitch clip points down. To adjust the Varipitch to suit the roof angle, rotate the top section of the Varipitch relative to the bottom section. Then compensate by rotating the whole Varipitch.

When adjusted correctly, place the Varipitch on the flashing, sandwiching the fixing strap between the flashing and Varipitch. To ensure the Varipitch is level, use a spirit level to check the levels both parallel and perpendicular to the ridge line. Once level, fasten the Varipitch to the flashing by inserting 3 screws through the pre-punched holes (Fig 6). Secure Varipitch angle by fastening the open side of Varipitch clip with a self tapping screw (Fig 6). Cut off any excess fixing strap (Fig 7).

Step 7

Silicone seal the inside of the Varipitch seam. DO NOT apply silicone to the joint between the flashing and the Varipitch. This is a natural gutter to release any trapped condensation.

Step 8

Windmaster, SupaVent and TurboBeam – Position the turbine's ring so that the arms line up with the notches in the top of the Varipitch. Fasten the turbine by using the 3 screws provided through the pre-punched holes and into the turbine arms (Fig 8).

Note: For maximum water proofing of the Windmaster, apply silicone between the turbine's ring and the top of the Varipitch.

TurboVentura – Position the turbine so the holes in the turbine's ring line up with the holes in the top of the Varipitch. Fasten the turbine by using the 3 screws provided through the ring and the pre-punched holes in the Varipitch (Fig 8).

Note: When securing the ventilator turbine to the Varipitch DO NOT use Tek screws, the screws provided in the box must be used. The use of Tek screws will void the ventilator warranty.

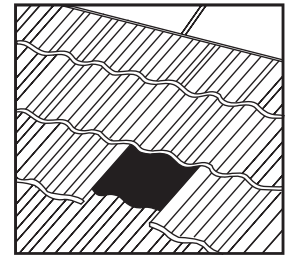


FIG 3

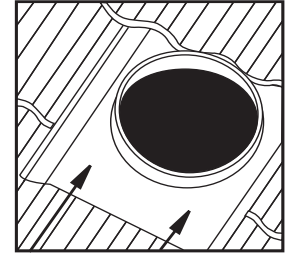


FIG 4

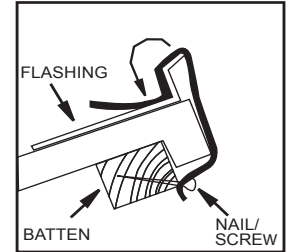


FIG 5

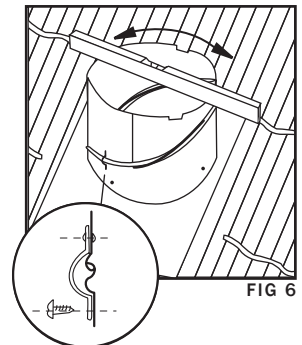


FIG 6

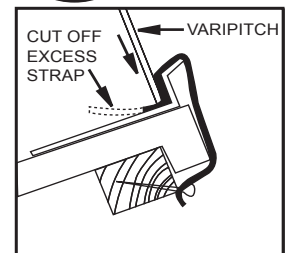


FIG 7

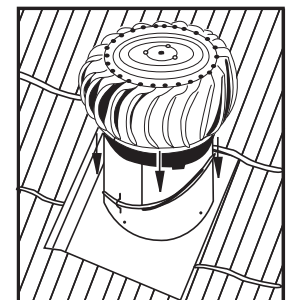


FIG 8